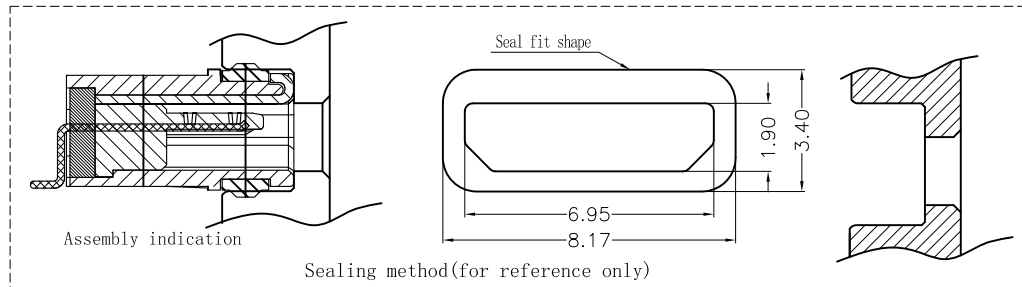
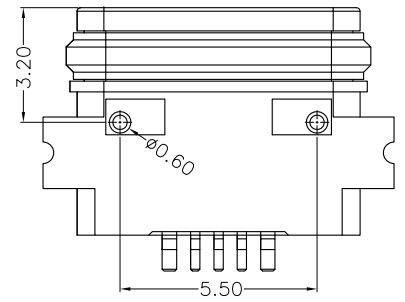
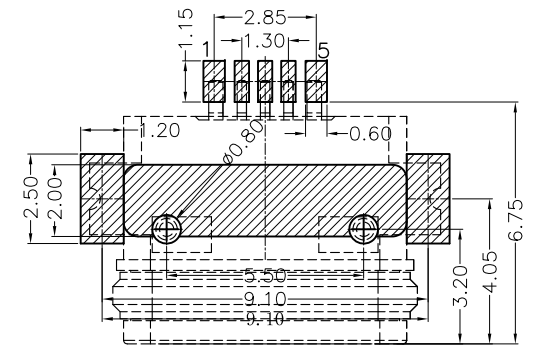
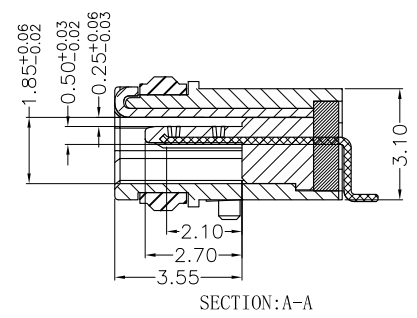
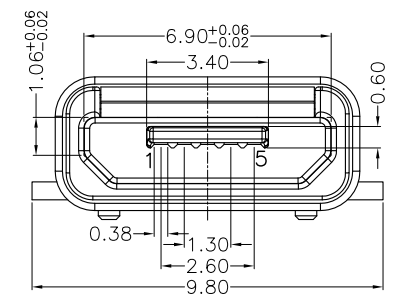
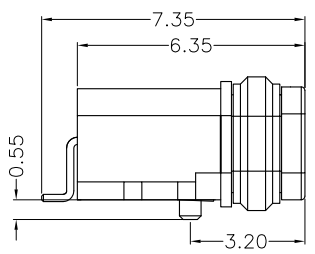


1. Material/Plated
 - 1.1 Housing: High temperature thermoplastic, Black UL 94V-0.
 - 1.2 Terminal: Copper Alloy, Gold Flash Plated At Contact Area, Gold Plated At Soldered Area, Nickel Underplated Overall
 - 1.3 Shell-1: Kirsite, Nickel plated
 - 1.4 Shell-2: Stainless steel
 - 1.5 Ring: Silicon
 - 1.6 Epoxy: Epoxy, Black
2. Electrical Performance
 - 2.1 Rated Voltage: 30V AC
 - 2.2 Rated Current: 1,5Pin: 3.0A Max. 2,3,4Pin: 1.0A Max.
 - 2.3 Contact Resistance: 30mΩ Max.
 - 2.4 Insulation Resistance: 100MΩ Min.
 - 2.5 Dielectric Strength: 100V AC
3. Mechanical Performance
 - 3.1 Insertion Force: 35N Max.
 - 3.2 Withdrawal Force: 8-35N
 - 3.3 Durability: 10000 Cycles
4. Operating Temperature: -25° C To +85° C
5. Waterproof: IPX8



					DRAWN	Tom	2019-11-11	DIMENSION TOLERANCE X ±0.35 X.XX ±0.25 X.XXX ±0.15 GENERAL ANGLE: ±3° UNIT: mm	东莞市实邦电子有限公司 IDSTRB ELECTRONIC CO., LTD	TITLE	Micro USB B 5P Waterproof SMT 有柱
				CHECKED	Ango	2019-11-11	PART NO.			UMX-024S2AP	
A	NEW RELEASE		Tom	2018-06-13	APPROVE	Kevin	2019-11-11		DWG. NO.		
REV.	DESCRIPTION	ECN NO.	NAME	DATE	SCALE: N/A	SHEET: 1 OF 1	LEVEL		C31		
REVISIONS											